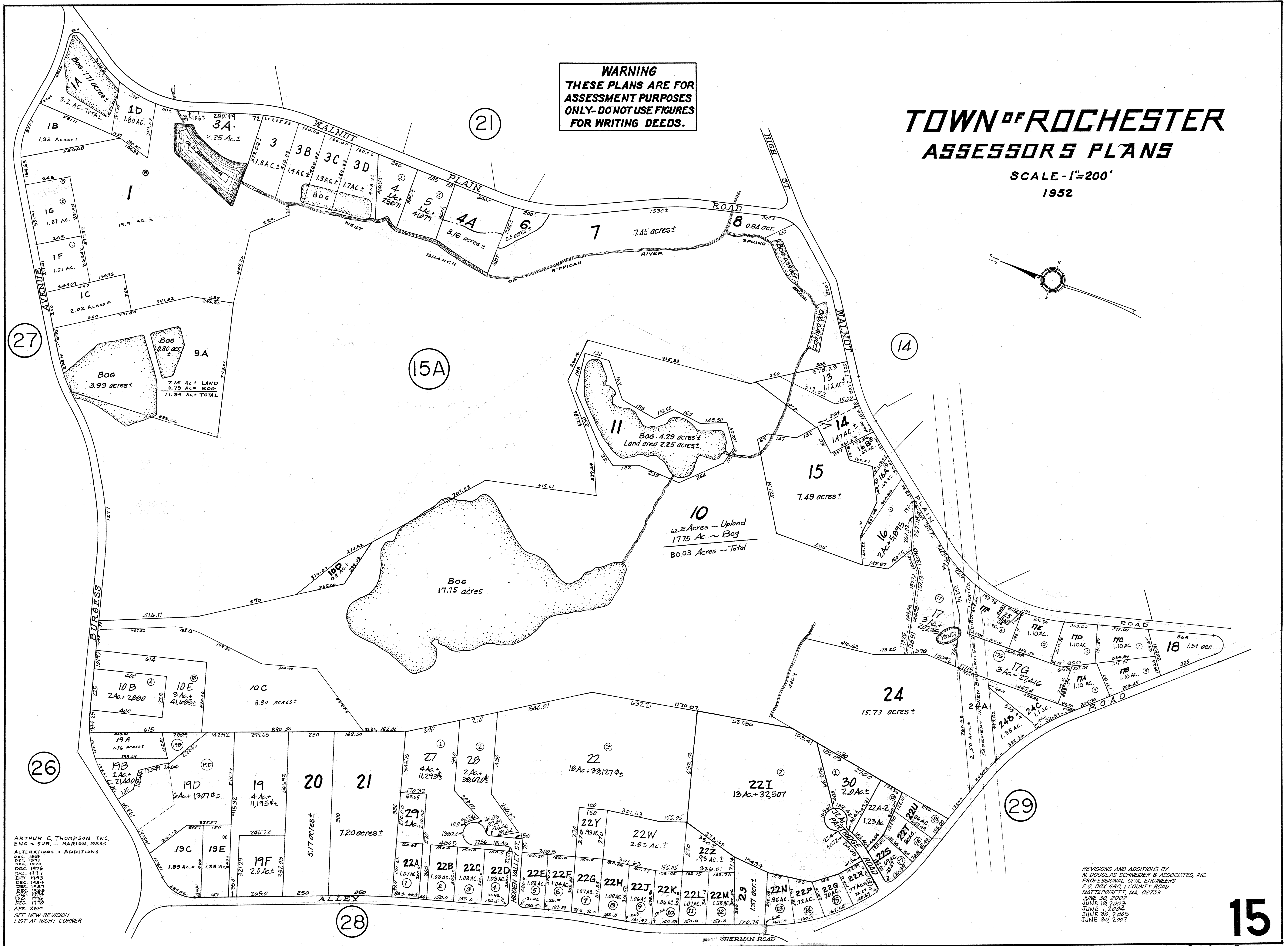
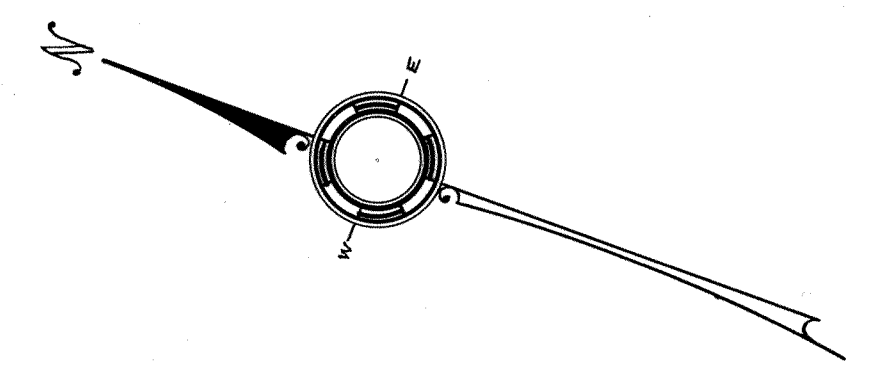


WARNING
 THESE PLANS ARE FOR
 ASSESSMENT PURPOSES
 ONLY-DO NOT USE FIGURES
 FOR WRITING DEEDS.

TOWN OF ROCHESTER

ASSESSORS PLANS

SCALE - 1"=200'
 1952



ARTHUR C. THOMPSON, INC.
 ENG. & SURV. - MARION, MASS.
 ALTERATIONS & ADDITIONS
 DEC. 1959
 DEC. 1971
 DEC. 1972
 DEC. 1976
 DEC. 1977
 DEC. 1983
 DEC. 1984
 DEC. 1987
 DEC. 1988
 DEC. 1989
 APR. 2000
 SEE NEW REVISION
 LIST AT RIGHT CORNER

REVISIONS AND ADDITIONS BY:
 N. DOUGLAS SCHNEIDER & ASSOCIATES, INC.
 PROFESSIONAL CIVIL ENGINEERS
 P.O. BOX 480, 1 COUNTY ROAD
 MATTAPOSETT, MA 02139
 JUNE 30, 2002
 JUNE 18, 2003
 JUNE 1, 2004
 JUNE 30, 2005
 JUNE 30, 2007

REVISED JUNE 1967
 TIBBETTS ENGINEERING CORP.
 NEW BEDFORD, MASS.

Samuel H. Corse, Surveyor
 Rochester, Mass.